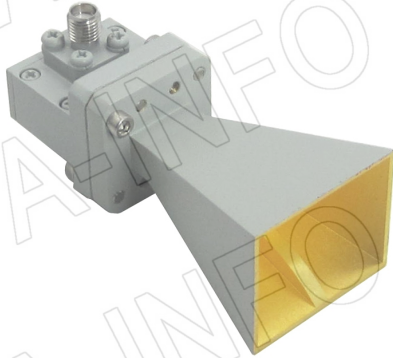


For reference only. See data sheet for the detailed specifications.

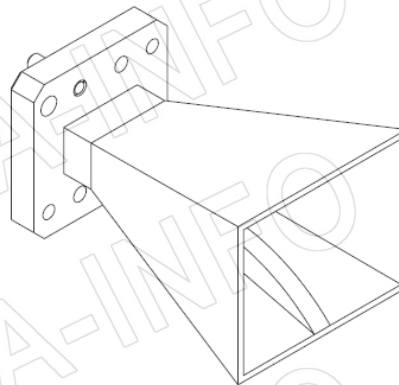
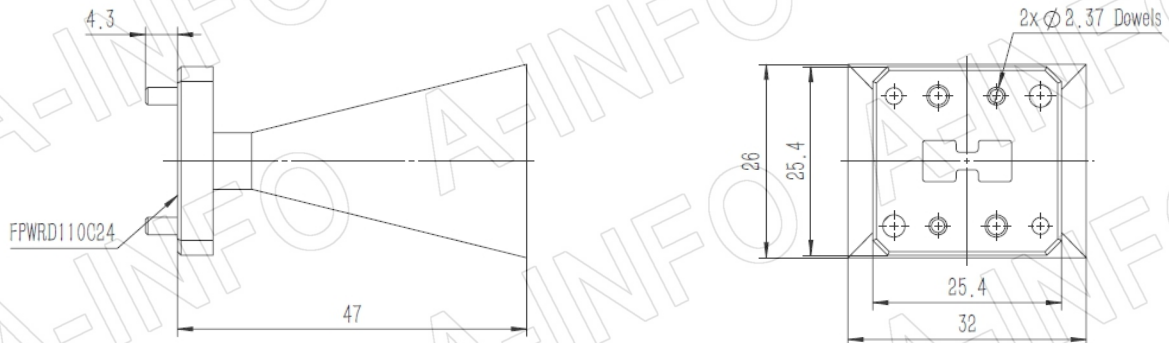
Technical Specification



Frequency Range(GHz)	11.0 – 26.5
Gain(dBi)	10 Typ.
Polarization	Linear
3dB Beamwidth(deg)	E Plane: 62 - 25
	H Plane: 55 - 28
Cross Pol. Isolation(dB)	30 Typ.
VSWR	1.5:1 Typ.
Output	A Type: FPWRD110C24
	C Type: SMA-Female
Power Handling(W CW)	50 Max.
Material	Cu
Finish	Gold Plated, Gray Paint
Size(mm)	A Type: 32 x 26 x 47
	C Type: 32 x 30.2 x 71
Net Weight(Kg)	A Type: 0.05 Around
	C Type: 0.12 Around

Outline Drawing (Size: mm)

FPWRD110C24 Output (P/N: LB-110265-10-A)



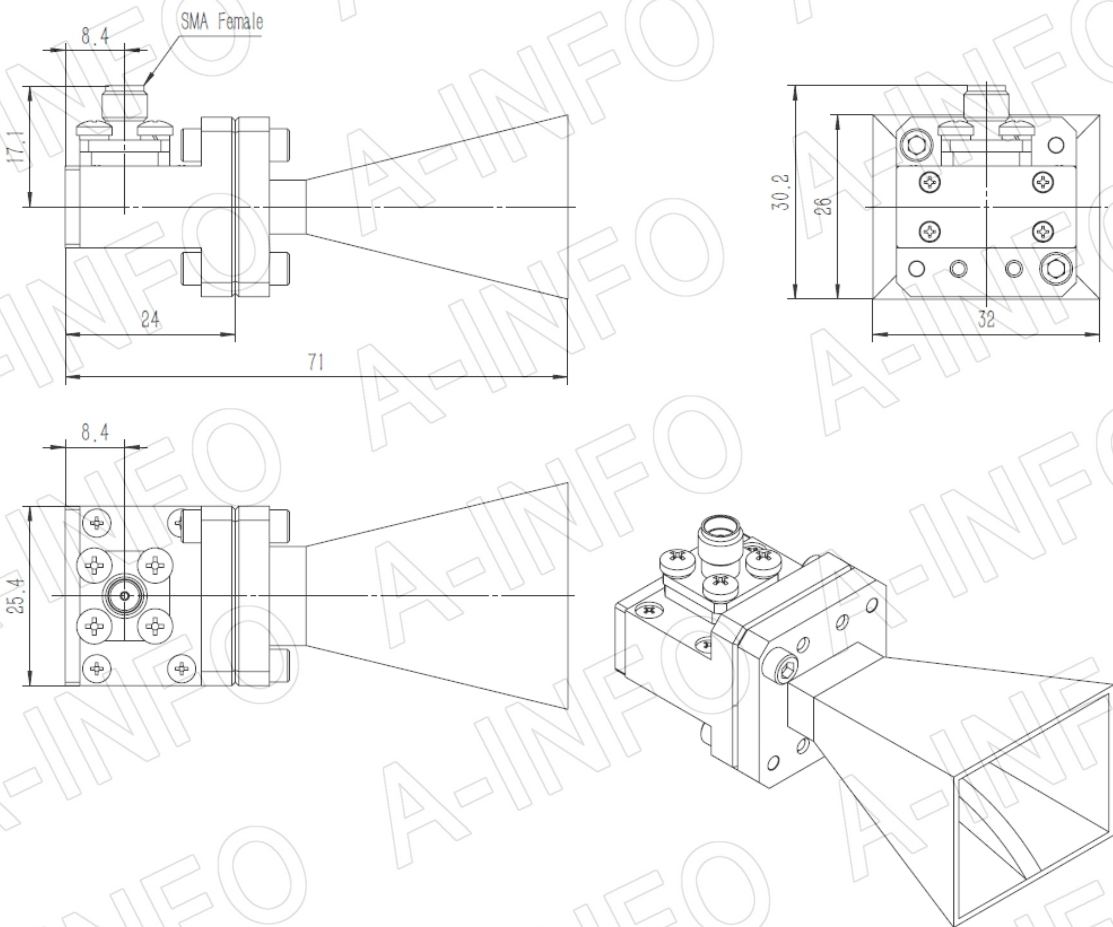
AINFO Inc.

China(Beijing): Tel: (+86) 10-6266-7326,
 China(Chengdu): Tel: (+86) 28-8519-2786,
 USA : Tel: (+1) 949-639-9688,

(+86) 10-6266-7327 Fax: (+86) 10-6266-7379
 (+86) 28-8519-3044 Fax: (+86) 28-8519-3068
 (+1) 949-639-9608 Fax: (+1) 949-639-9670

Website: www.ainfoinc.com
 Email: sales@ainfoinc.com

SMA-Female Output (P/N: LB-110265-10-C-SF)



AINFO Inc.

China(Beijing): Tel: (+86) 10-6266-7326,
China(Chengdu): Tel: (+86) 28-8519-2786,
USA : Tel: (+1) 949-639-9688,

Page 2 of 10

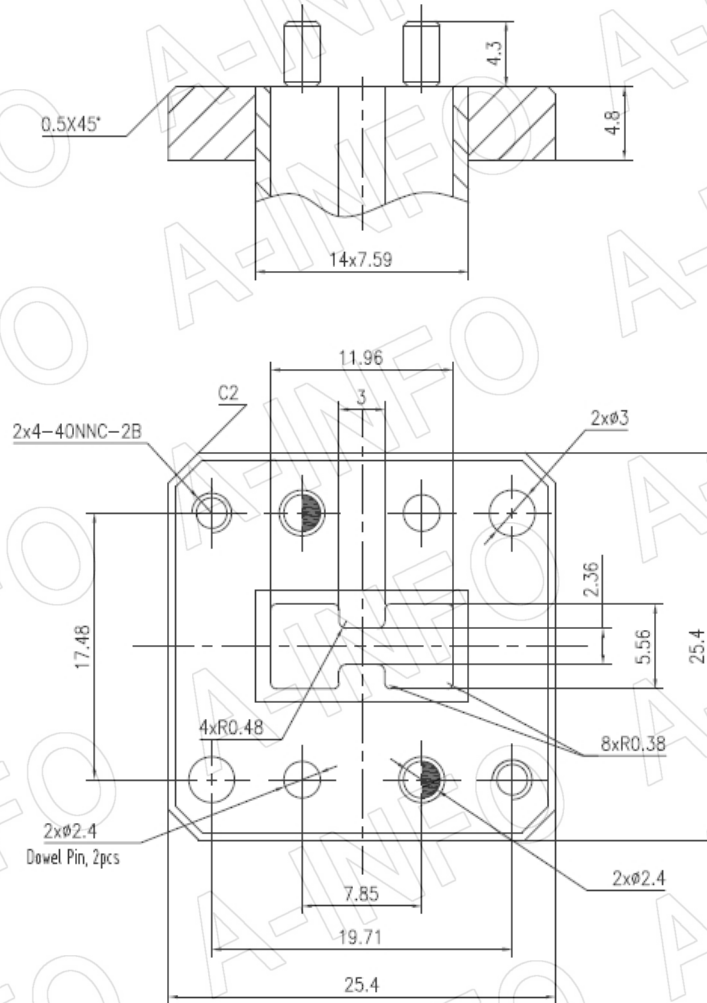
(+86) 10-6266-7327 Fax: (+86) 10-6266-7379
(+86) 28-8519-3044 Fax: (+86) 28-8519-3068
(+1) 949-639-9608 Fax: (+1) 949-639-9670

Website: www.ainfoinc.com
Email: sales@ainfoinc.com

Flange Drawing (Size: mm)

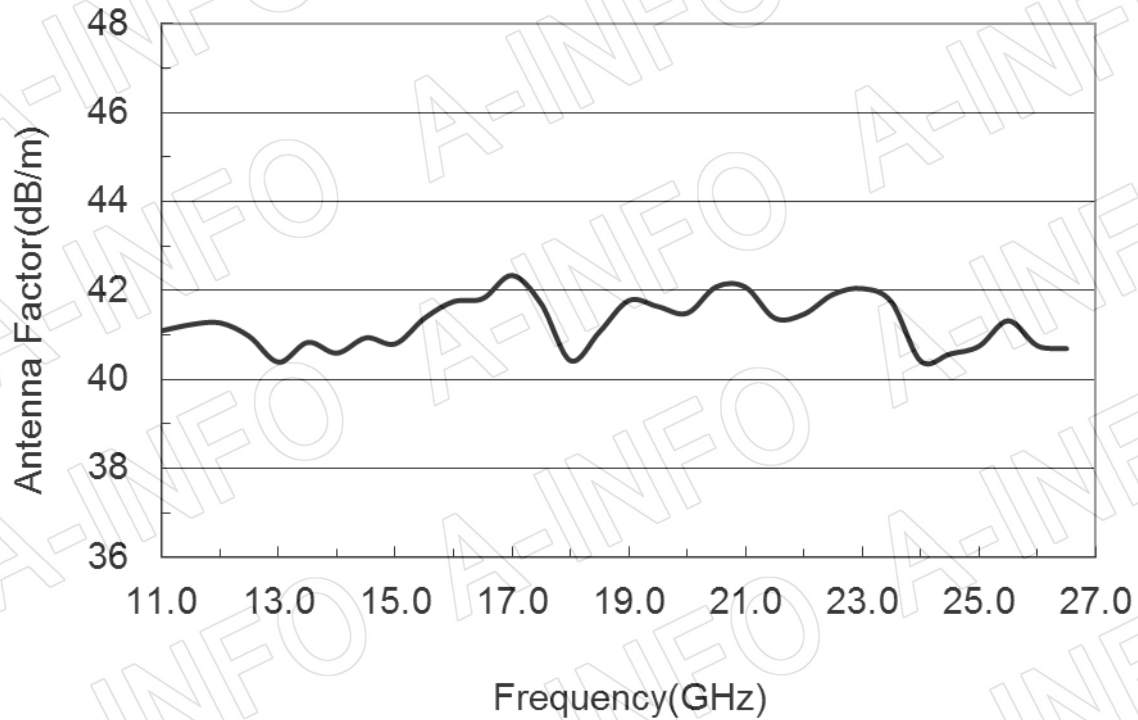
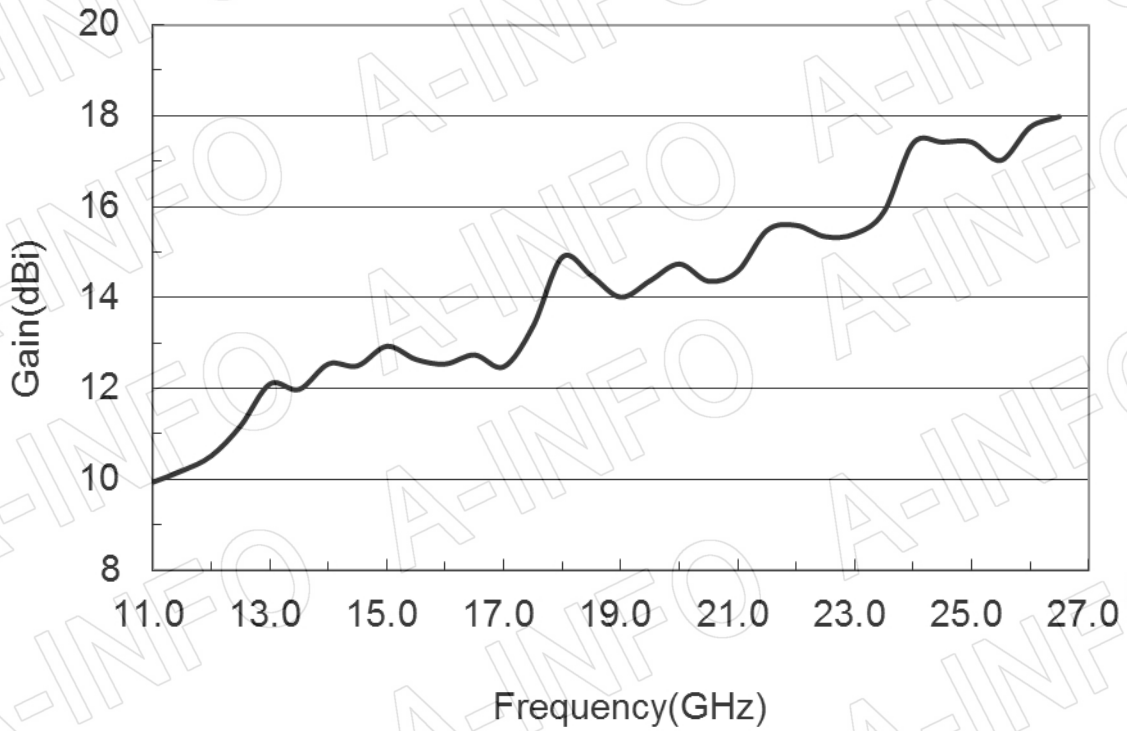
FPWRD110C24

(With two through mounting holes
and two screws holes)

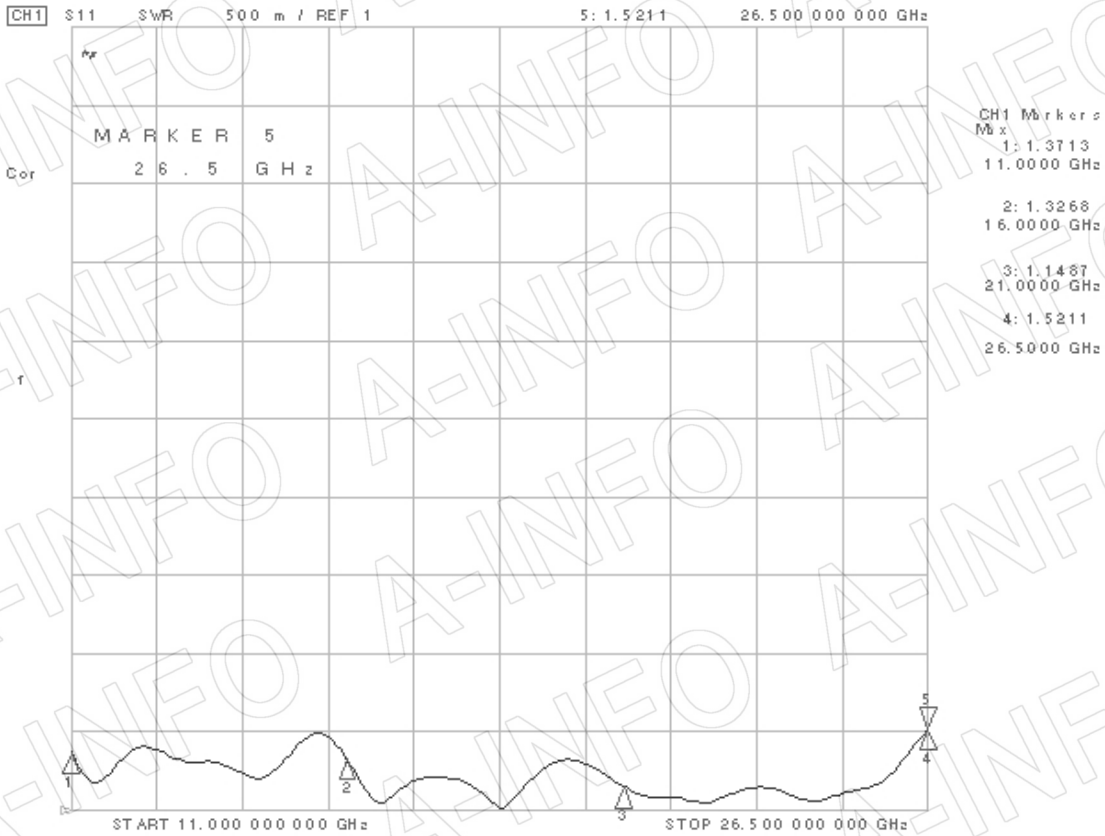


Test Results

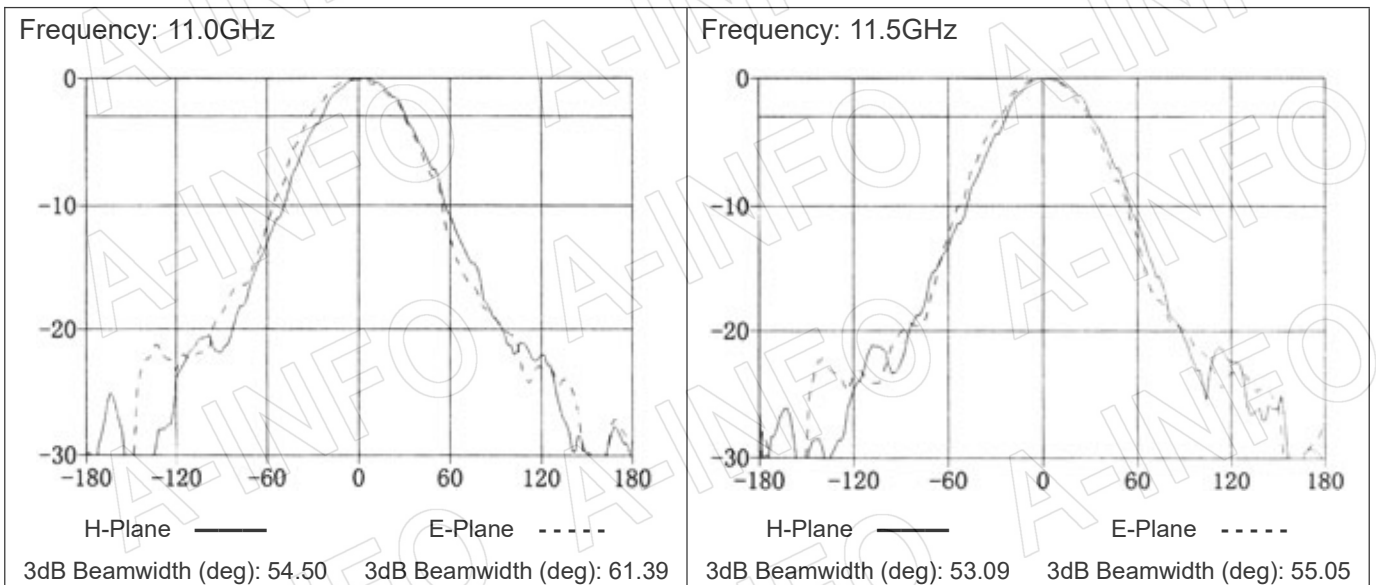
1. Gain & Antenna Factor



2. VSWR



3. Pattern



AINFO Inc.

China(Beijing): Tel: (+86) 10-6266-7326,
China(Chengdu): Tel: (+86) 28-8519-2786,
USA: Tel: (+1) 949-639-9688,

Page 5 of 10
(+86) 10-6266-7327 Fax: (+86) 10-6266-7379
(+86) 28-8519-3044 Fax: (+86) 28-8519-3068
(+1) 949-639-9608 Fax: (+1) 949-639-9670

Website: www.ainfoinc.com
Email: sales@ainfoinc.com

